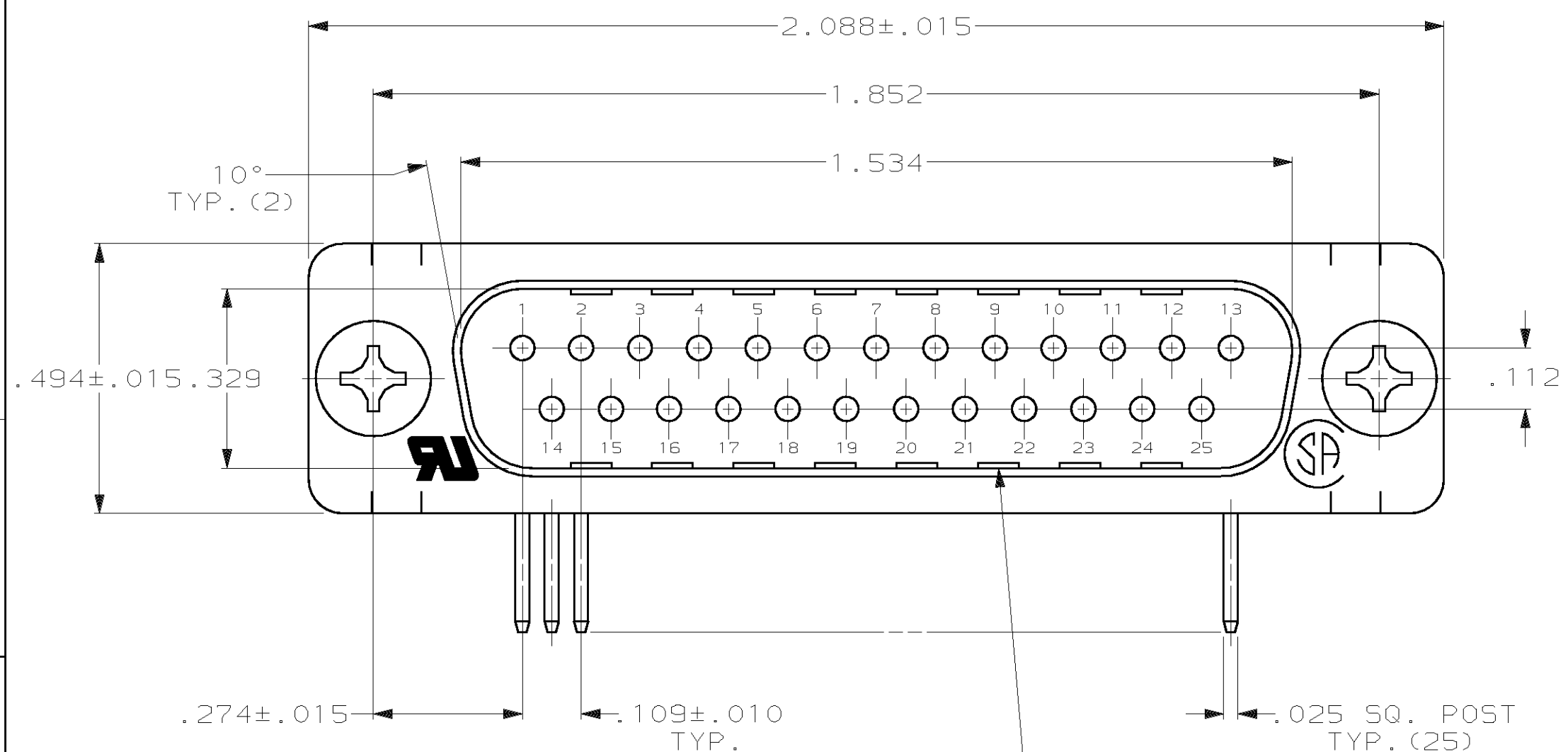
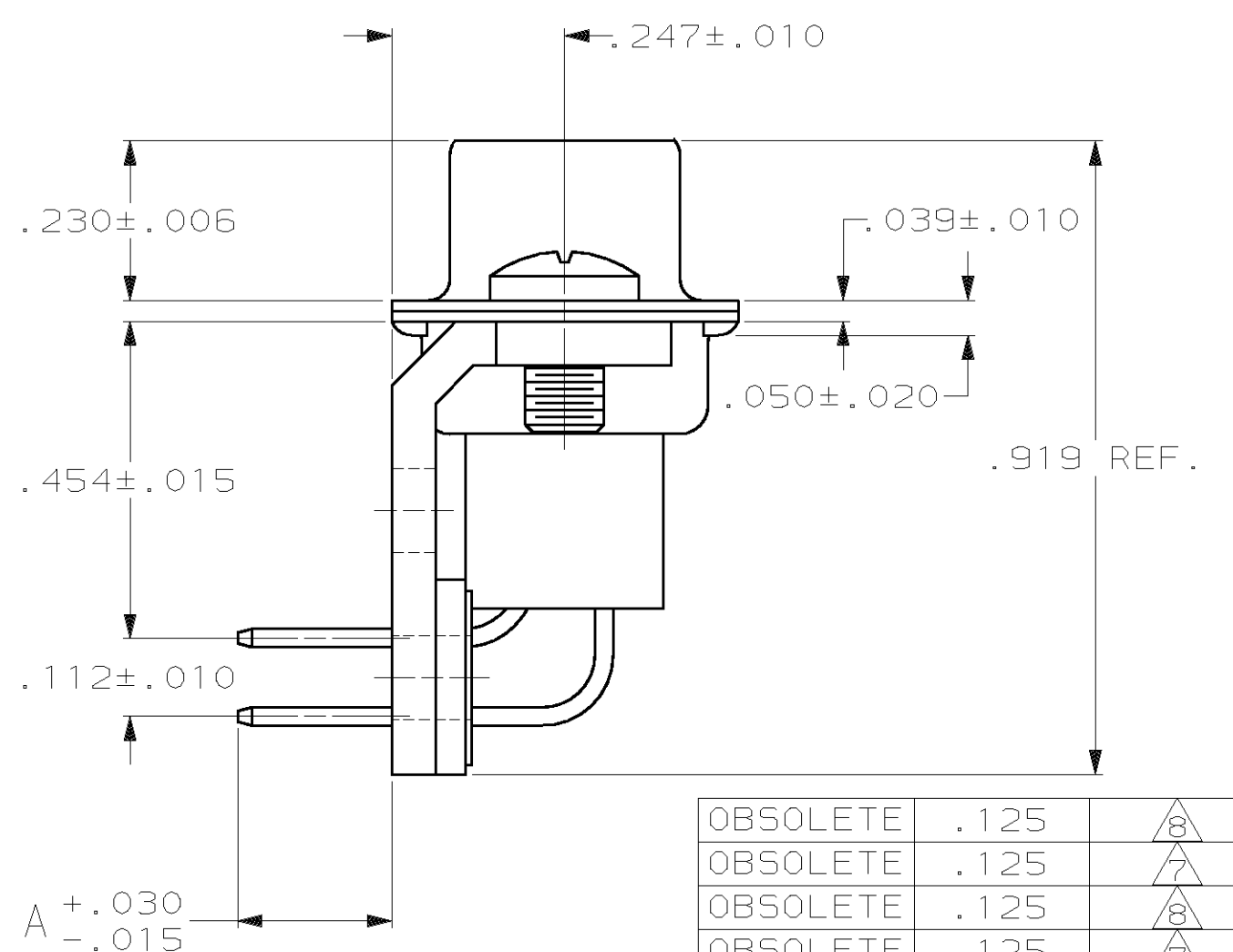
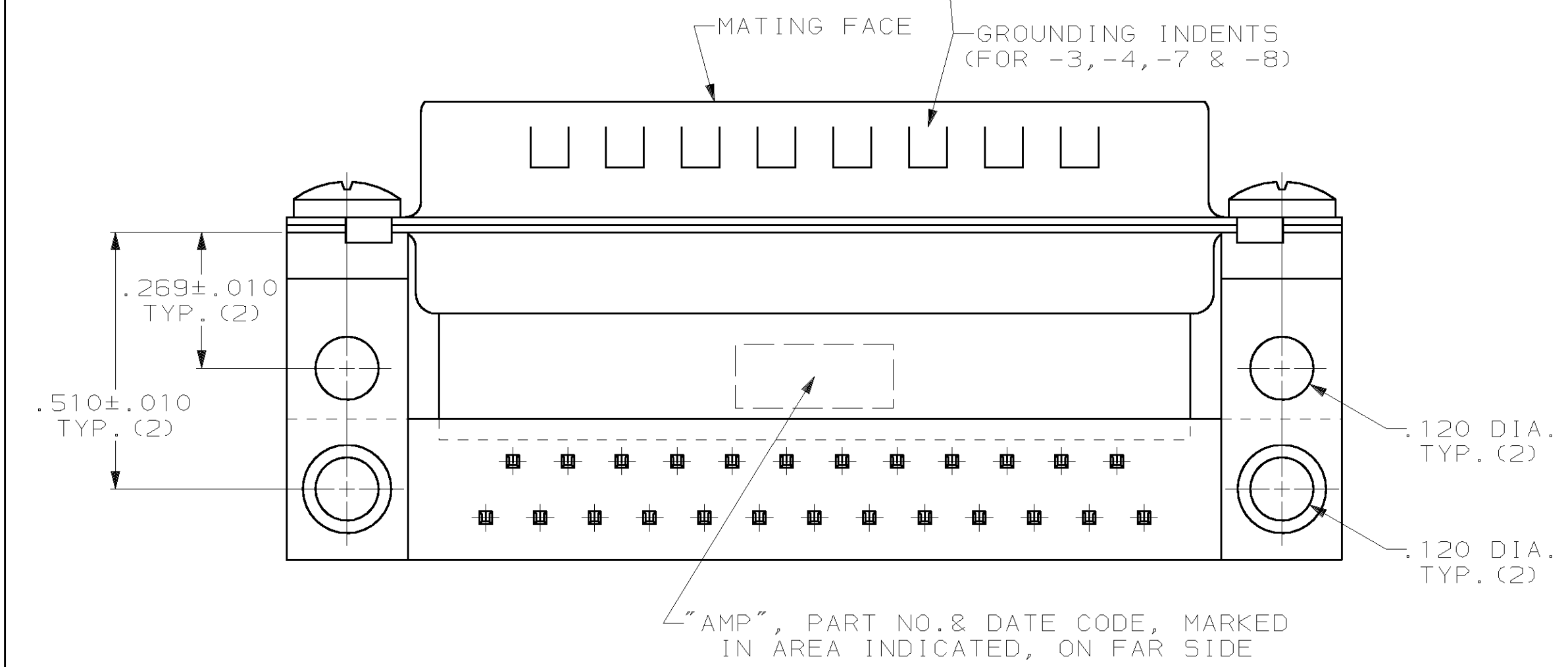


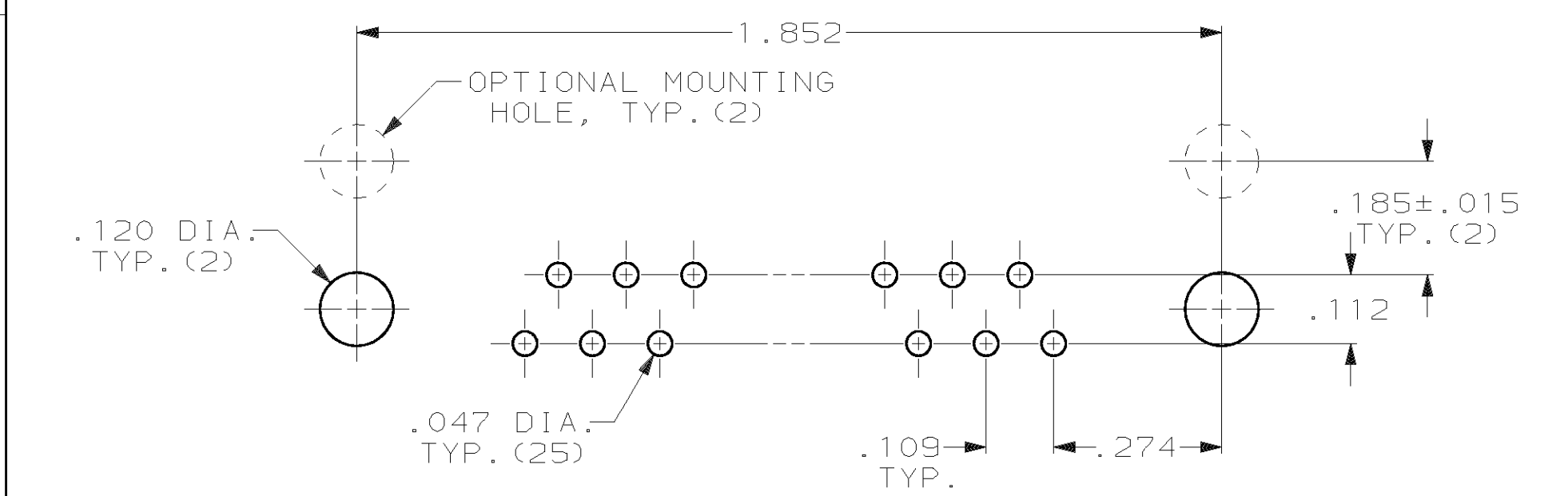
LOC		DIST		ZONE		LTR		REVISIONS		DATE	APPD
GP	00	P	F			J		REVISED PER EC 0513-0012-03	08MAY03	JG	



- CONNECTOR MATES WITH ANY 25 POS. RECEPTACLE IN AMPLIMITE SERIES & COMPLIES WITH AMP SPEC. 108-40,005 WHERE APPLICABLE.
- FLAME RETARDANT 94V-0 RATED THERMOPLASTIC; COLOR: BLACK.
- STEEL PER ASTM A109.
- BRASS PER MIL-C-50.
- TIN PLATING PER MIL-T-10727, GOLD PLATING PER MIL-G-45204, NICKEL PLATING PER QQ-N-290.
- TIN PLATED.
- GOLD PLATED FOR LENGTH OF .150 MIN FROM MATING END, GOLD FLASH IN MATED AREA, .000100 MIN TIN-LEAD ON OPPOSITE END, BOTH OVER .000050 MIN NICKEL.
- GOLD PLATED FOR LENGTH OF .150 MIN FROM MATING END, .000030 MIN GOLD IN MATED AREA, .000100 MIN TIN-LEAD ON OPPOSITE END, BOTH OVER .000050 MIN NICKEL.



OBsolete	.125	8	745436-8
OBsolete	.125	7	745436-7
OBsolete	.125	8	745436-6
OBsolete	.125	7	745436-5
OBsolete	.220	8	745436-4
	.220	7	745436-3
OBsolete	.220	8	745436-2
OBsolete	.220	7	745436-1



DO NOT SCALE PRINT. UNLESS SPECIFIED DIMENSIONS IN INCHES TOLERANCES ON: 2 PLC DEC ± .005 3 PLC DEC ± .005 ANGLES ± 2°	DR 12-14-83 J.GERACE CHK 12-14-83 J.GERACE APPD 03-15-84 P.SWEIGARD APPD 03-15-84 J.ASSINI	AMP Incorporated Harrisburg, PA 17105-3608 <b>OBsolete</b> PLUG ASSEMBLY, SIZE 3, 25 POSN, RIGHT ANGLE, .454 SERIES, .025 SQ. POSTS, AMPLIMITE™ HDP <b>NOT the LATEST REVISION</b>
MATERIAL MOLDED PARTS: 2 SHELLS & BRACKETS: 3 CONTACTS: 4	PRODUCT SPEC - APPLICATION SPEC - WEIGHT -	
FINISH SHELLS & BRACKETS: 6 CONTACTS: SEE TABLE	SIZE CAGE CODE DRAWING NO. SCALE	A CONTACT FINISH PART NO C 00779 C=745436 SHEET 1 OF 1